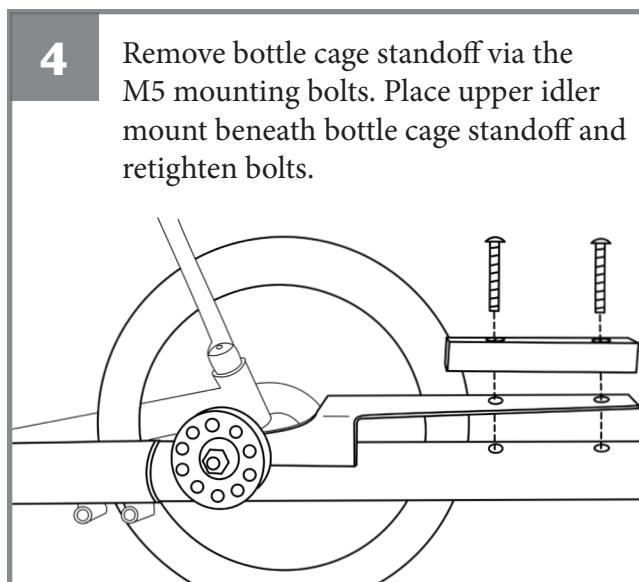
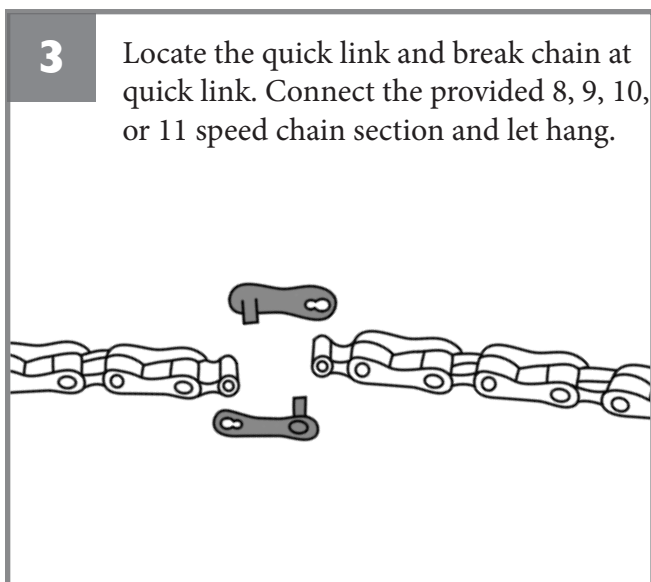
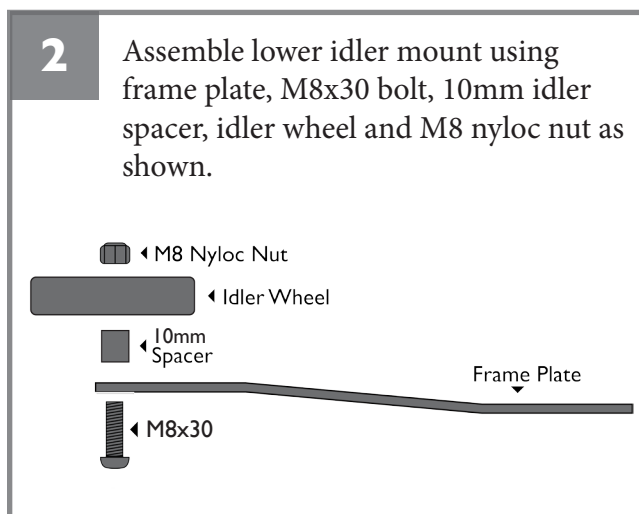
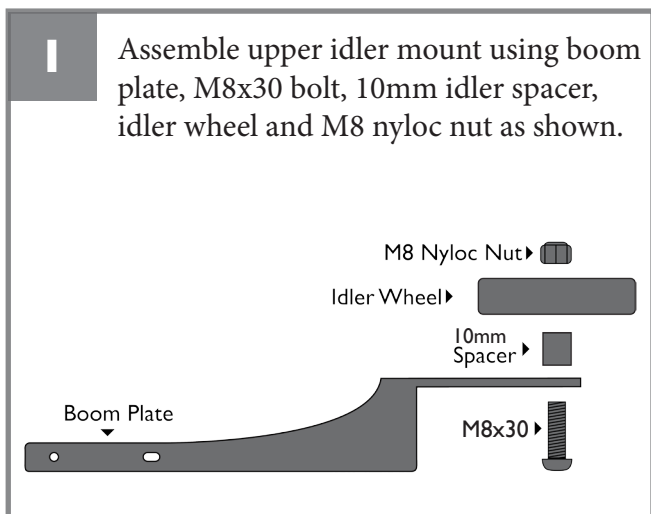


Parts Included:

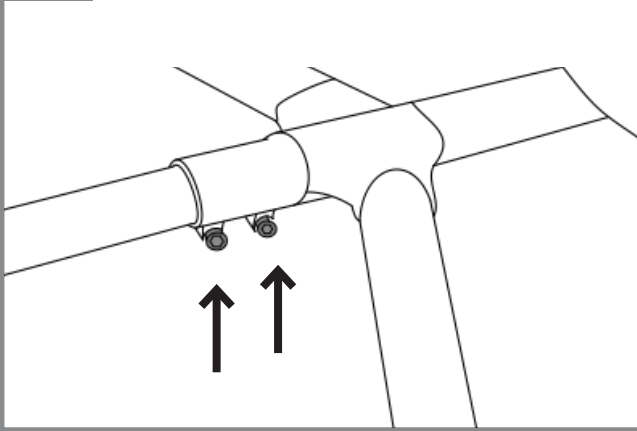
- Boom Plate (1)
- Frame Plate (1)
- Quick Release Skewer (2)
- Sleeve Washer (2)
- 10 Tooth Idler Wheel (2)
- 10mm Idler Spacer (2)
- M8x30mm Bolt (2)
- M8 Nyloc Nut (2)
- 8spd Chain & Quick Link Set (1)
- 9spd Chain & Quick Link Set (1)
- 10spd Chain & Quick Link Set (1)
- 11spd Chain & Quick Link Set (1)

Tools Needed:

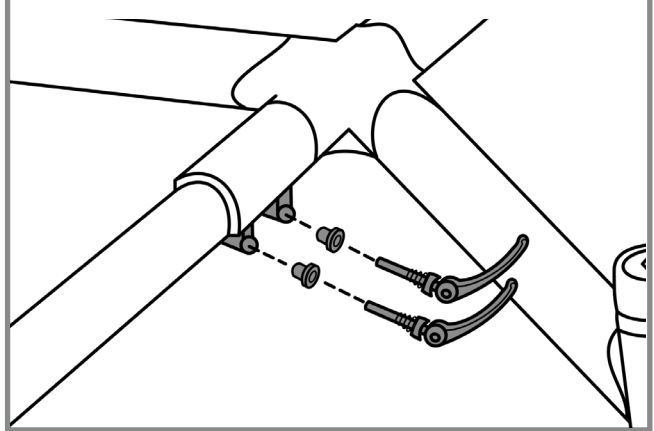
- 3mm Hex Wrench
- 5mm Hex Wrench
- 13mm Socket Wrench
- Chain Tool



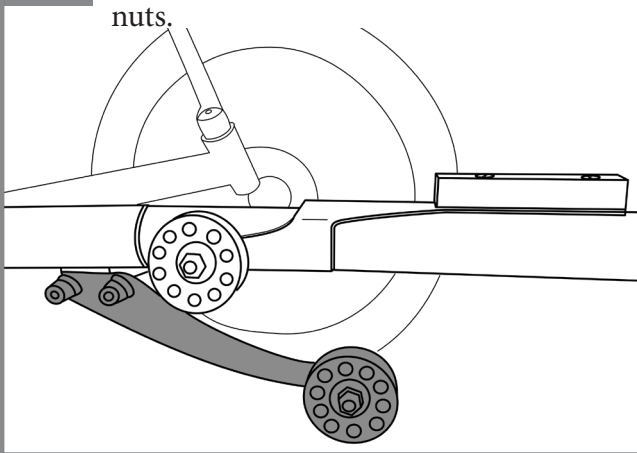
5 Remove boom clamp bolts.



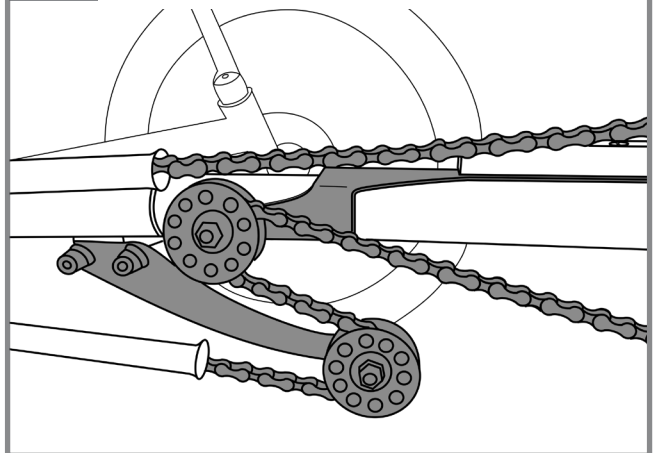
6 Install sleeve washers and insert quick release skewers.



7 Install lower idler mount on quick release skewers and secure with skewer nuts.



8 Route chain through the idlers as shown.



9 Tighten and close quick release levers one at a time. Retighten the first lever and close again to secure boom.

