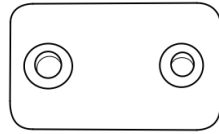
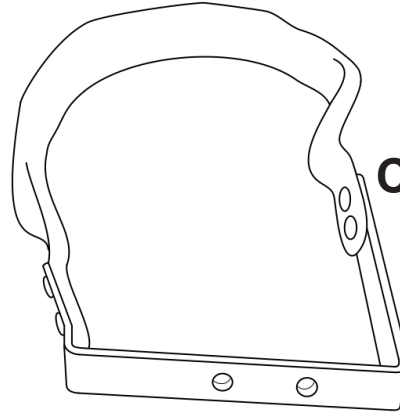
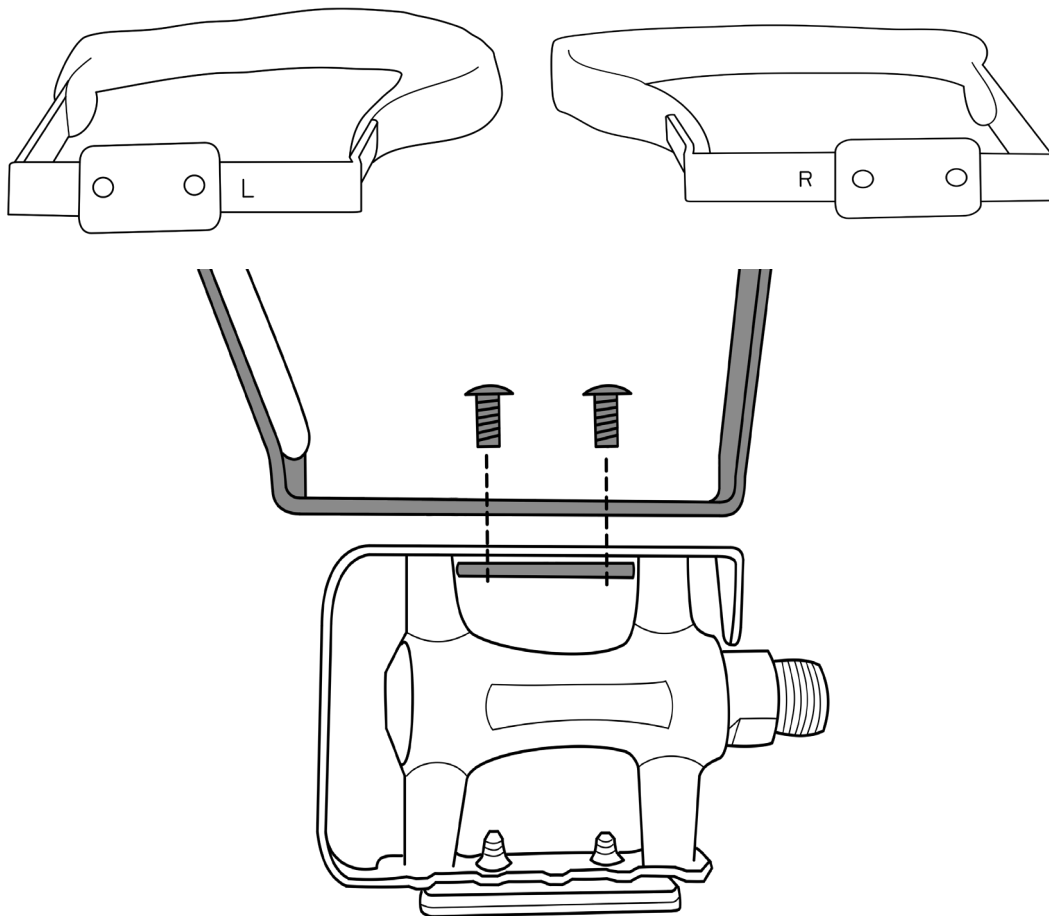


Tools Needed:

3mm Allen Wrench

Parts Included:M5x12
x4Backing Plate
x2Comfort Pedal
Strap
x2**Assembly Instructions:**

- 1 Identify left and right Comfort Pedal Straps. Remove pedal reflector and attach Comfort Pedal Strap to appropriate pedal using the M5x12 bolts and backing plate. Tighten bolts to 2-3 Nm.



Right pedal with right Comfort Pedal Strap

- 2 Repeat the process for the second pedal.

