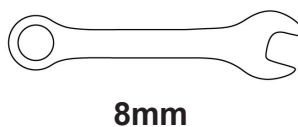
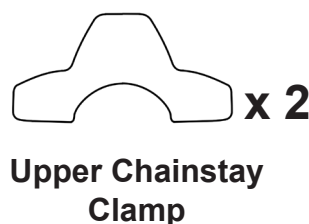
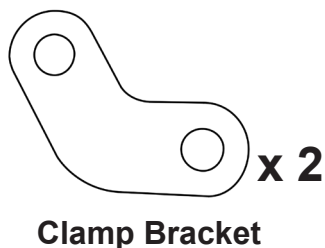
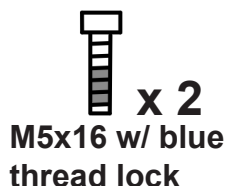


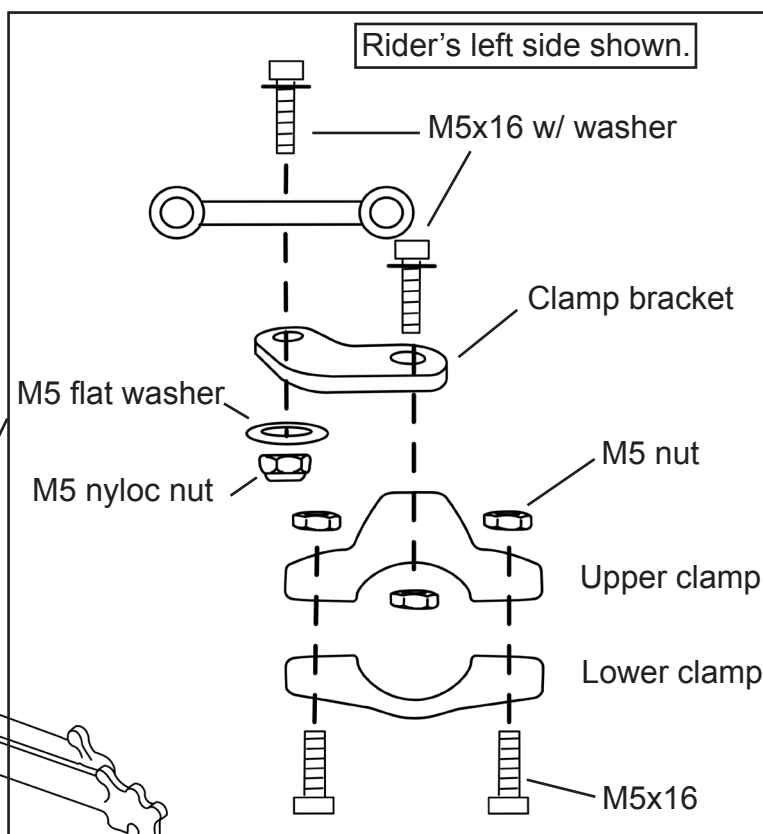
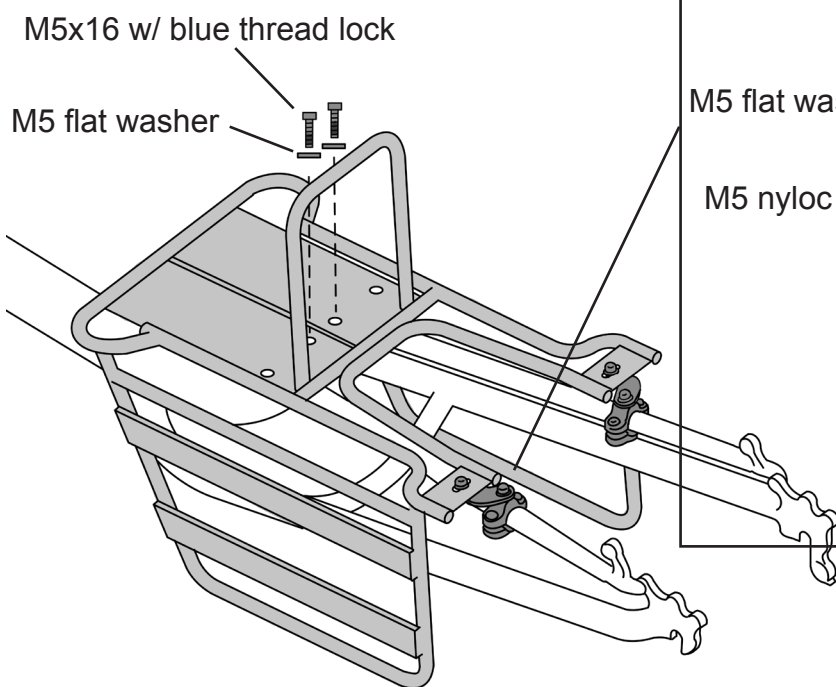
### Tools:



### Parts:



**1. Remove existing frame bolts from the main frame where the center of the rack will sit. Use supplied bolts to attach the rack directly to the main frame.**



**2. Mount Chainstay Clamps as shown. Do not tighten bolts until completely assembled.**