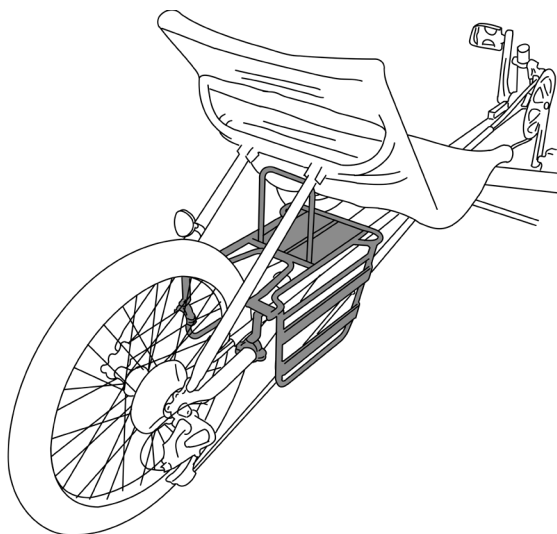


TerraTrike®

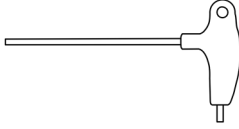


**TerraTrike Low Rider Rack
(TT600361)**



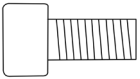
NOTE: TerraTrike Fit Kit specifically designed for the individual trike model is required for installation.

Tools:



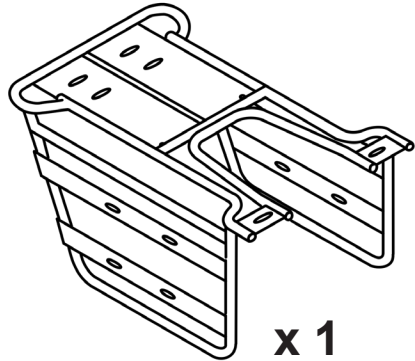
6mm Allen Wrench

Parts:

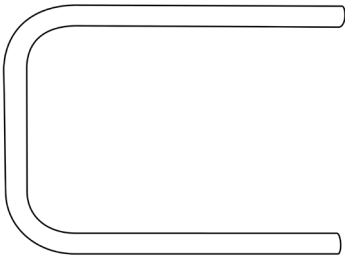


x 2

M8x15mm



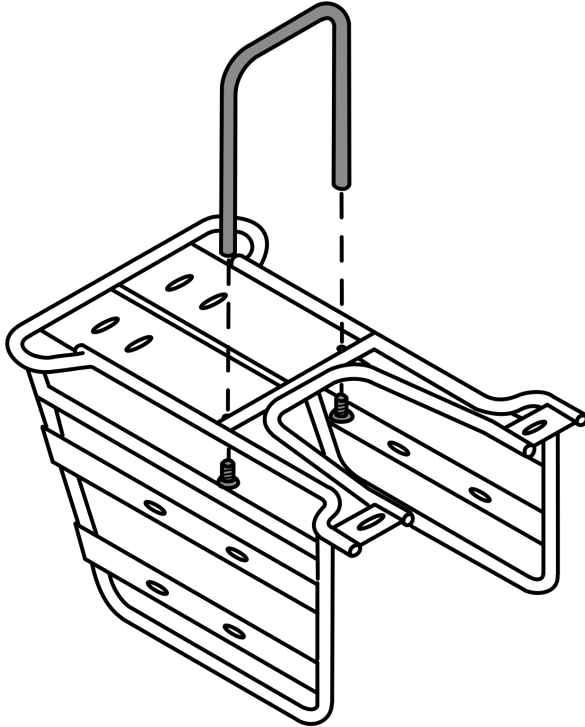
x 1



x 1

1

Install support rail.



2

Complete installation on trike using TerraTrike Fit Kit instructions specific to your trike.

TerraTrike®

TerraTrike®

4460 40th St SE Grand Rapids, MI 49512
www.TerraTrike.com | 800.945.9910