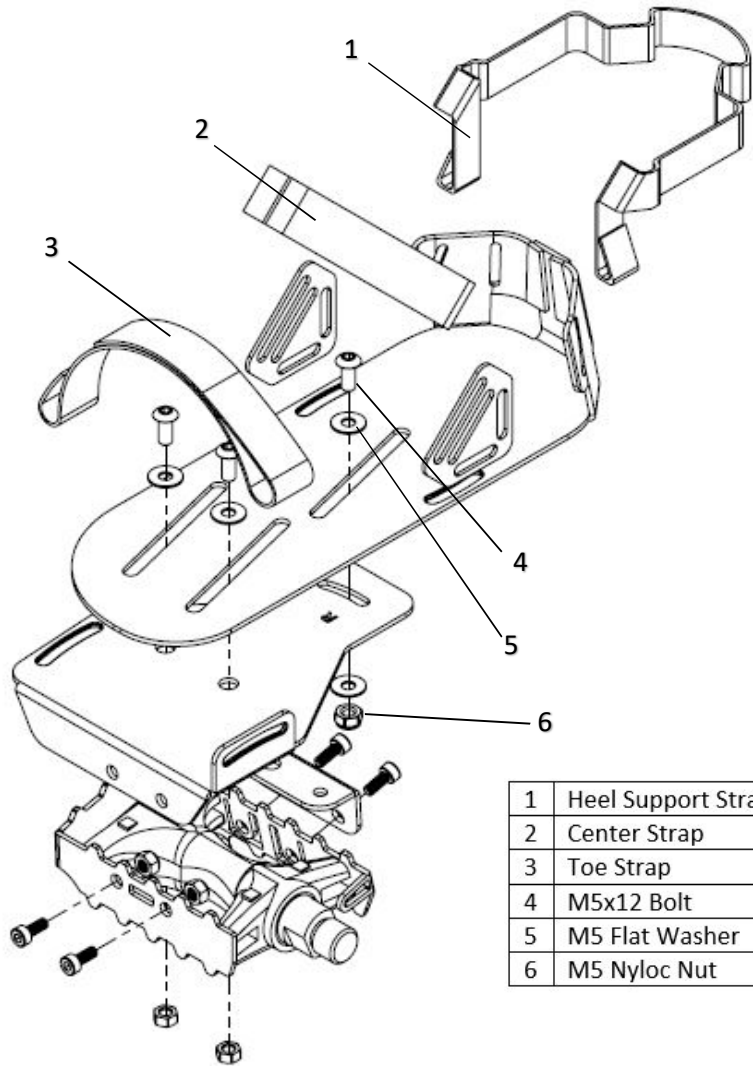


TerraTrike®



1	Heel Support Strap
2	Center Strap
3	Toe Strap
4	M5x12 Bolt
5	M5 Flat Washer
6	M5 Nyloc Nut

Pedal Platform



Installation Guide

TerraTrike
4460 40th St SE
Grand Rapids, MI 49512
(616) 455-5988
(800) 945-9910
www.TerraTrike.com

Rev 02/12/2018



Step 1:

Remove the Pedal Platforms from the packaging and identify the Left and Right sides by the stamped "L" and "R" on the bottom.



Step 2:

Remove the reflectors from the stock TerraTrike pedals by simply prying them off.



Step 3:

Position the Platform onto the corresponding pedal and secure with 4 M5x12 bolts and nuts. The Pedal Platform will only fit one way on the pedal, so be sure the top of the pedal is up. Tighten bolts securely.



1

Adjustment:

To adjust the Pedal Platform to accommodate different shoe sizes, loosen the three M5 bolts on the top of the platform. The two bolts towards the front of the platform thread into the platform itself, while the single bolt towards the back requires an 8mm open ended wrench to hold an M5 nyloc nut on the underside of the platform. This allows you to adjust the length of the pedal, as well as the angle of the platform. Use the Velcro straps to secure foot into pedal. The ball of the foot should be approximately in-line with the Velcro toe strap. Be sure to tighten all bolts securely before use.



2