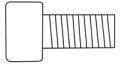


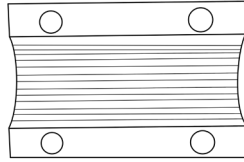
Tools Needed:



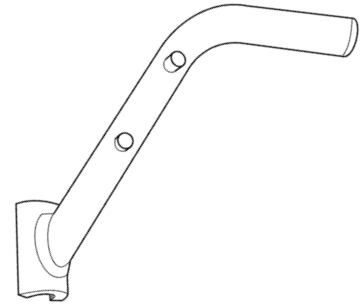
Parts Included:



M5x16
x8



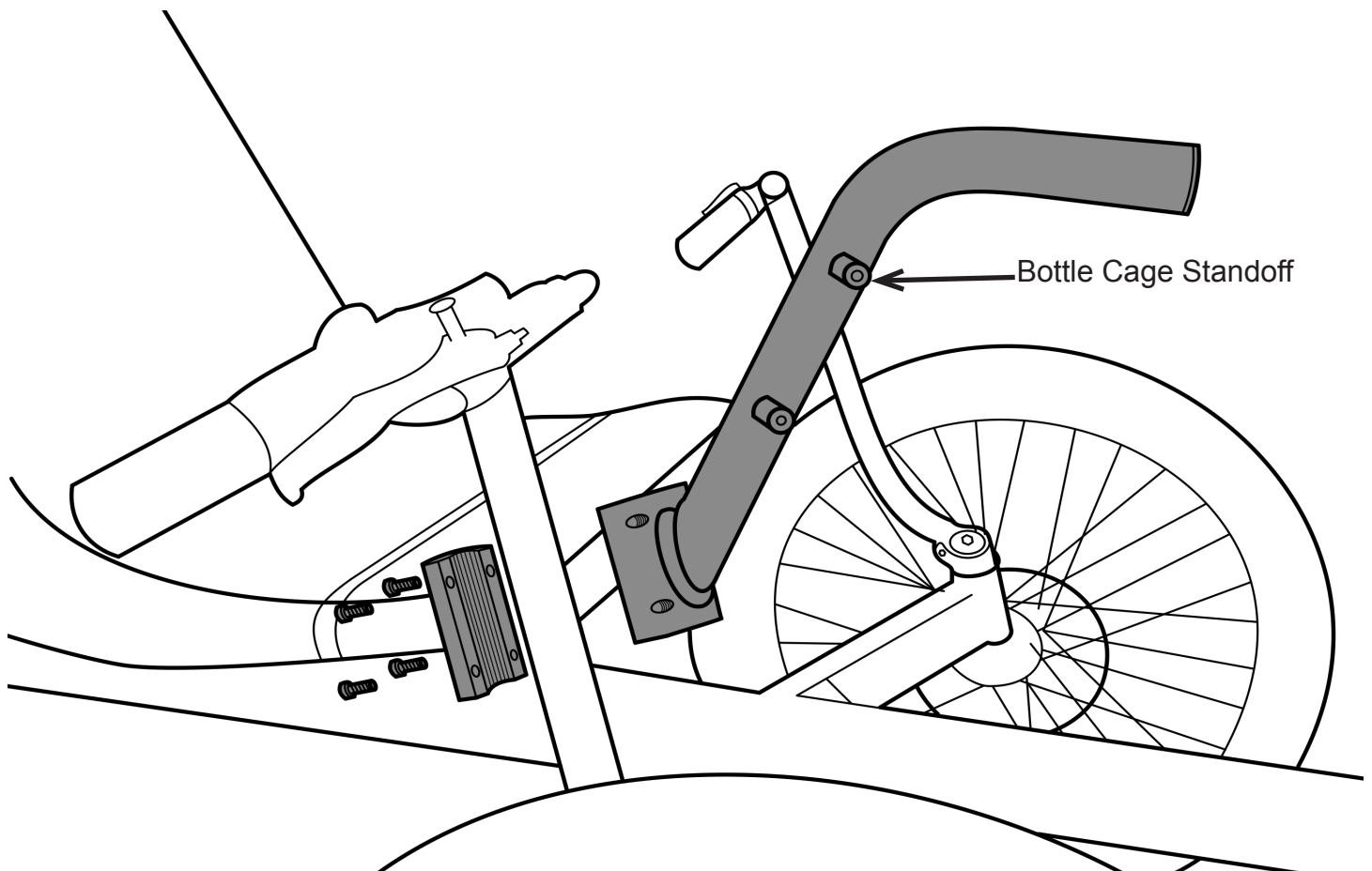
Backing Plate
x2



VersaBar
x 2 (L and R)

Assembly Instructions:

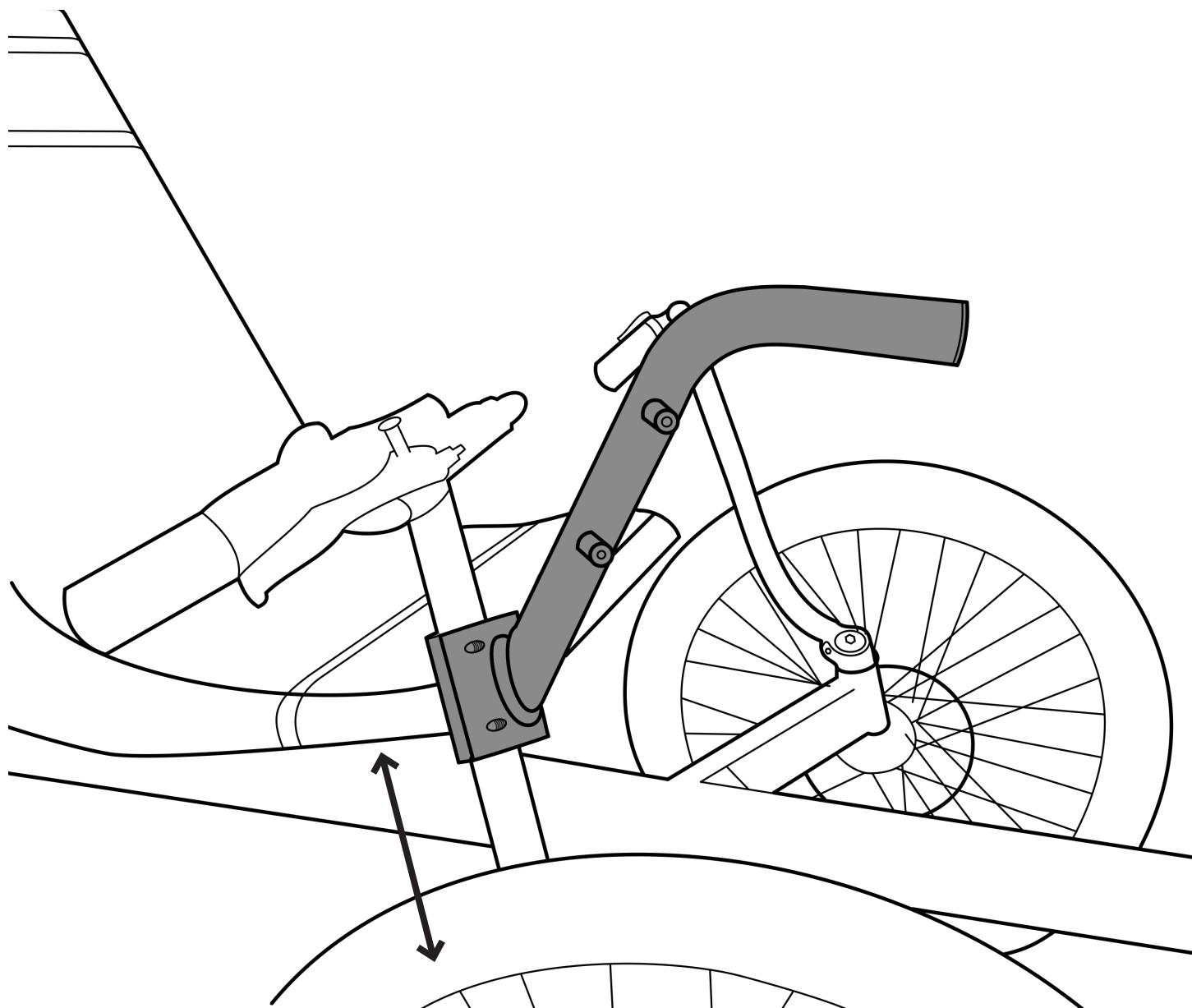
- 1 Identify left and right VersaBar. Bottle cage standoffs should face outwards on each VersaBar. Attach VersaBar to appropriate handlebar using the M5x16 bolts and backing plate.



2

Set the VersaBars at desired angle and height. Tighten bolts evenly to 10-12 Nm.

Use caution on tight turns, be aware that the VersaBars might interfere with leg movement. Adjust the VersaBars accordingly.



TerraTrike®