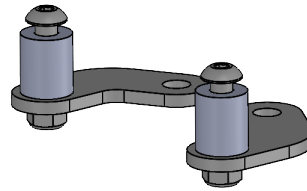
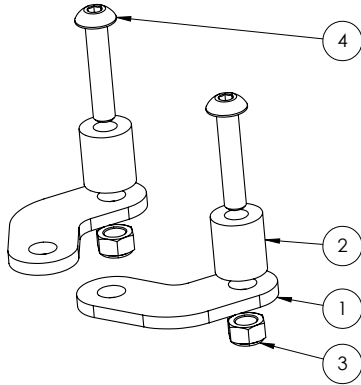


**Tools Needed:** 3mm Hex Wrench  
8mm combination or adjustable wrench

## Parts Included:

1	TT000920	Elbow bracket	2
2	WC000001	Spacer, 5mm ID x 12mm OD x 14mm L	2
3	WH000004	M5x0.8MM STAINLESS STEEL NYLON-INSERT LOCKNUT (TT000252)	2
4	WH000005	M5x0.8MMx25MM SBHCS STAINLESS STEEL	2



## Assembly Instructions:

- Red bolts show the fit kit parts.
- Green bolts are already on the frame.

