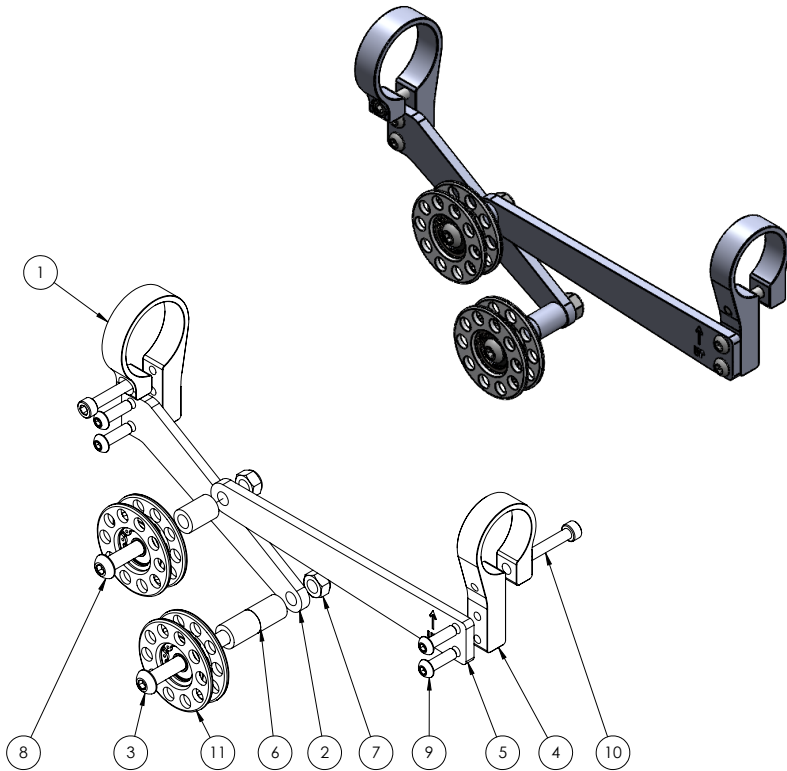


Tools Needed: 6mm Hex wrench
5mm Hex wrench

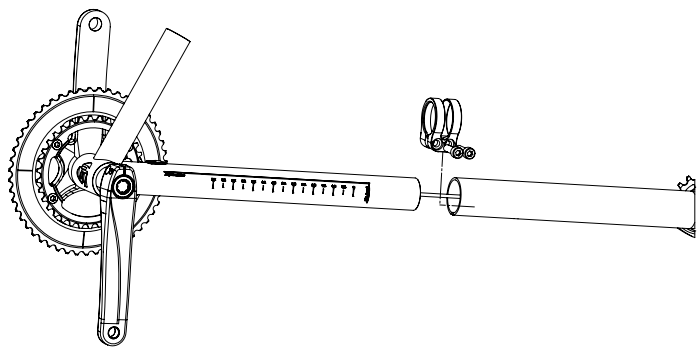
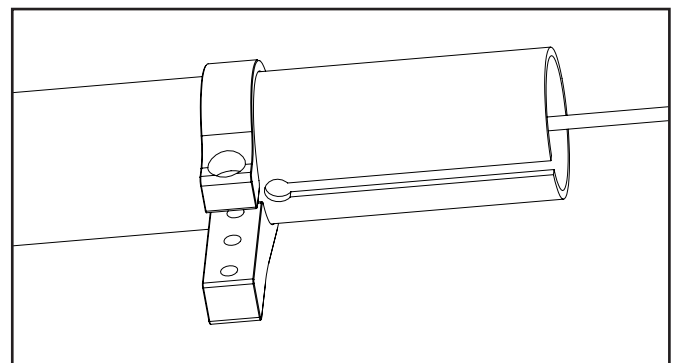
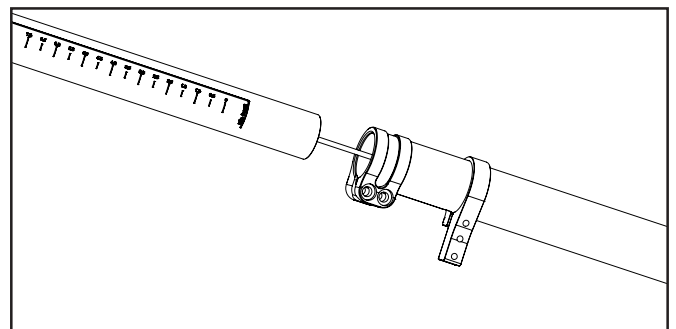
Parts Included:

ITEM NO.	PART NUMBER	DESCRIPTION	QTY.
1	TT000872	Frame Clamp Spyder CT	1
2	TT000875	Idler Arm Spyder Frame	1
3	WH000014	SBHCS M8x1.25MM x 60MM LONG STAINLESS STEEL	1
4	TT000873	Boom Clamp Spyder CT	1
5	TT000874	Idler Arm Spyder Boom	1
6	TT000123	Spacer, 20mm, 8mm ID x 10mm OD x 20mm L	3
7	TT000287	M8x1.25mm STAINLESS STEEL NYLON-INSERT LOCKNUT	2
8	WH000015	M8x1.25MM x 40MM LONG SBHCS STAINLESS STEEL	1
9	WH000016	M6x1.0MM x 20MM SBHCS STAINLESS STEEL	4
10	TT000576	M6x1.0MM x 30MM LONG SHCS STAINLESS STEEL	2
11	TT000261	IDLER, 10T DELUXE	2

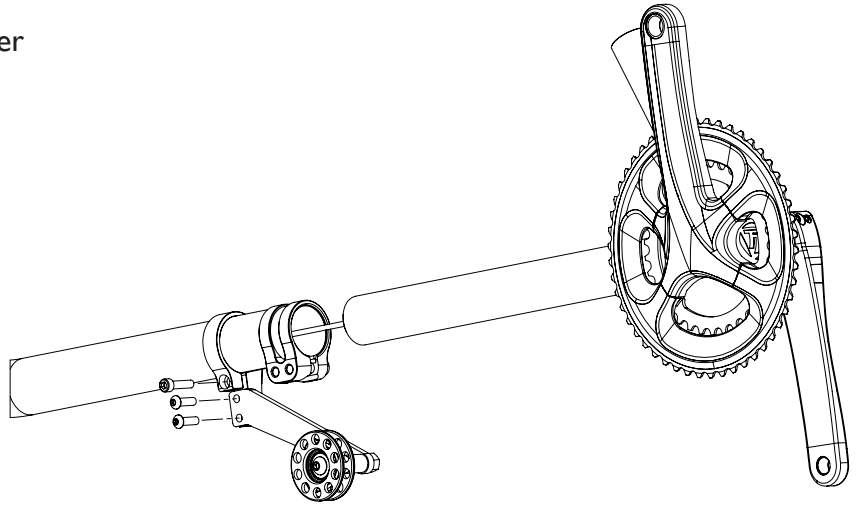


Assembly Instructions:

- 1 Remove boom clamp and pull boom from frame. The angled frame idler assembly is preassembled, remove the three bolts shown in step 2 to clear the shifter cable housing in the clamp. Slide chain gobbler clamp onto the frame, see last image for positioning. Slide boom clamp back into position.



- 2** Reassemble the angled frame idler assembly.



- 3** The straight boom idler assembly is preassembled. Remove the bolt shown below and slide the assembly onto the boom. Clear the shifter cable housing in the clamp. Position just in front of the crankset.

