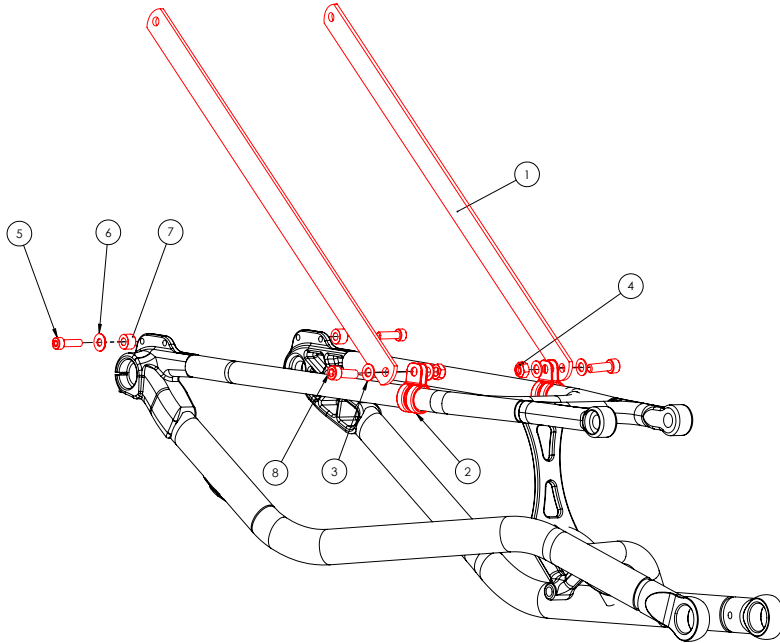


**Tools Needed:** 4mm Allen Wrench, 5mm Allen Wrench, 10mm Open Ended Wrench

### Assembly Instructions:

Install Coated Clamps on rear frame section and attach Extended Rack Stays using the M6x18 bolts, M6 washers, and M6 nuts. Leave clamp bolts loose. When installing Rack Risers (see Rack manual), use the included M5x18 bolts and M5 washers. Ensure the M5 Standoff Spacer is placed between the Rack Risers and mounting holes on trike frame. Level the Rack and snug all fasteners.



ITEM NO.	PART NUMBER	DESCRIPTION	QTY.
1	TT600083	RACK, STAYS, EXTENDED	2
2	WH000059	16.0mm Coated Clamp, SS	2
3	WH000055	M6 Flat Washer w/12mm OD, SS	4
4	WH000007	M6x1.0 Nylon Locknut SS	2
5	WH000043	M5x18mm SHCS SS	2
6	WH000061	M5 Flat Washer 12.7mm OD SS	2
7	WH000062	M5 Standoff Spacer 5.3mmx10.6mm x 7mmL POM	2
8	WH000063	M6x1.0 X 18mm SHCS SS	2

Complete Assembly:

