

## Parts Included:

- Boom Plate (1)
- Frame Plate (1)
- Quick Release Skewer (2) TT000826
- Sleeve Washer (2)
- 10 Tooth Idler Wheel (2) TT000261
- 10mm Idler Spacer (2) TT000262
- M8x30mm Bolt (2) TT000280
- M8 Nyloc Nut (2) TT000287
- 8spd Chain TT000147
- 8spd Quick Link Set (1) TT000155
- 9spd Chain TT000146
- 9spd Quick Link Set (1) TT000154

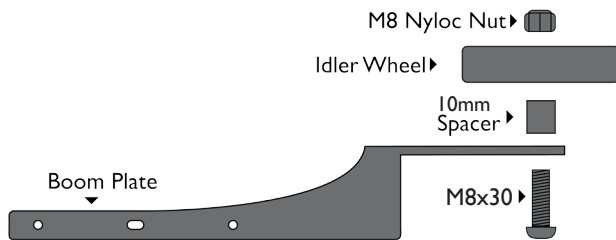
- 10spd Chain TT000561
- 10spd Quick Link Set (1) TT000560
- 11spd Chain TT000786
- 11spd Quick Link Set (1) TT000785

## Tools Needed:

- 3mm Hex Wrench
- 5mm Hex Wrench
- 13mm Socket Wrench
- Chain Tool

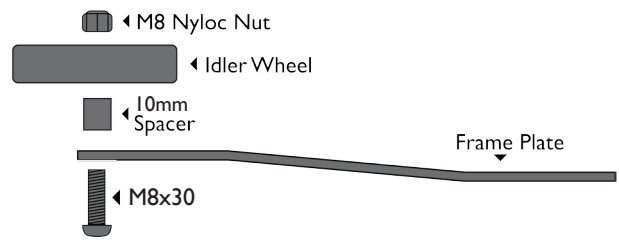
1

Assemble upper idler mount using boom plate, M8x30 bolt, 10mm idler spacer, idler wheel and M8 nyloc nut as shown.



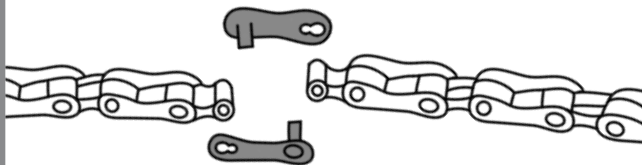
2

Assemble lower idler mount using frame plate, M8x30 bolt, 10mm idler spacer, idler wheel and M8 nyloc nut as shown.



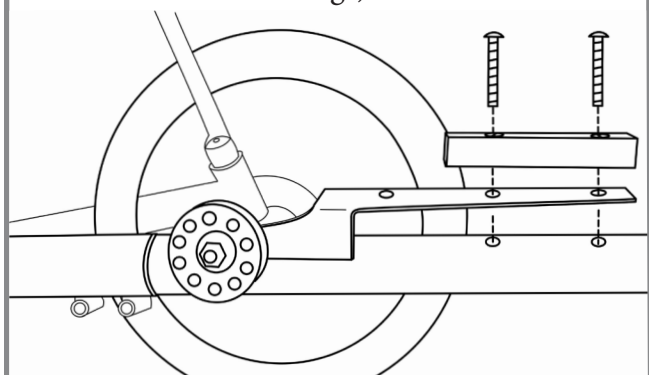
3

Locate the quick link and break chain at quick link. Connect the provided 8, 9, 10, or 11 speed chain section and let hang.

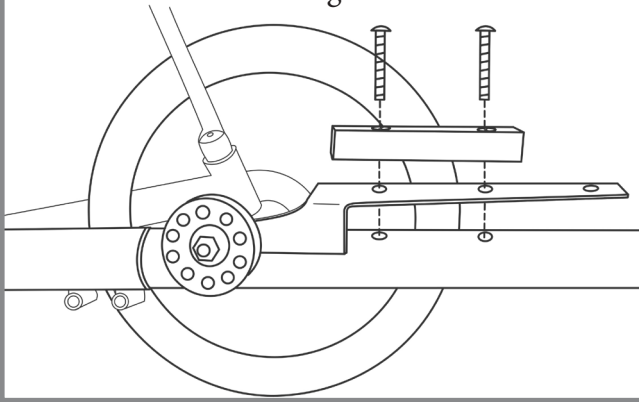


4

Remove bottle cage standoff. Place upper idler mount beneath bottle cage standoff and reassemble. (Applies to all models + GTS boom sized between 0" - 3" indicator markings)

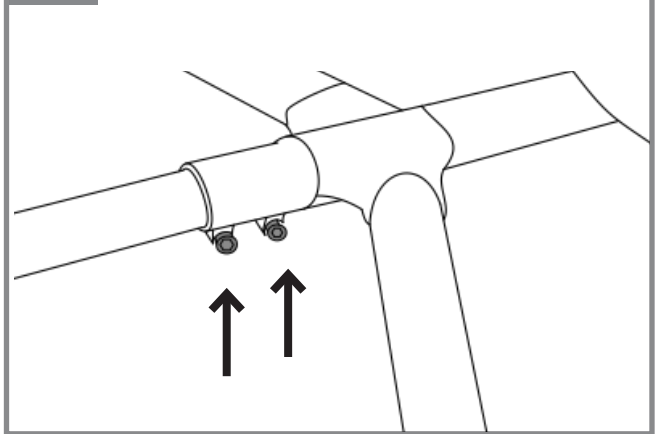


Recommended mounting position for GTS boom sized between 3" - 7" indicator markings.



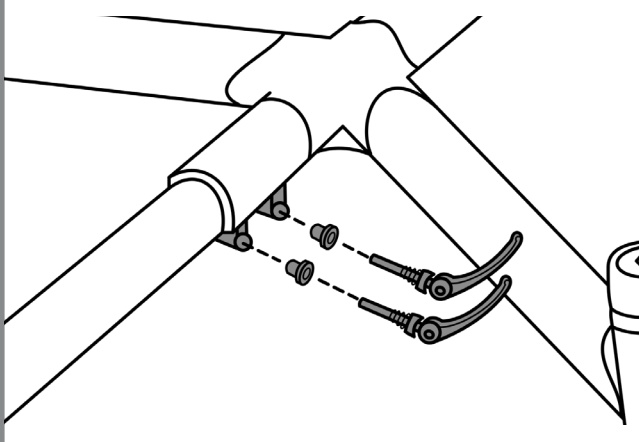
5

Remove boom clamp bolts.



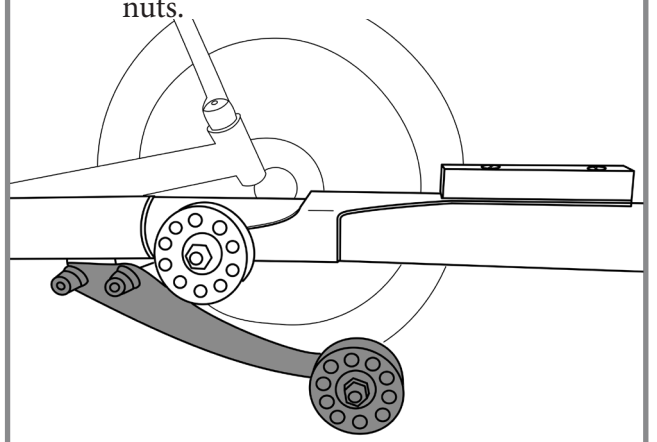
6

Install sleeve washers and insert quick release skewers.



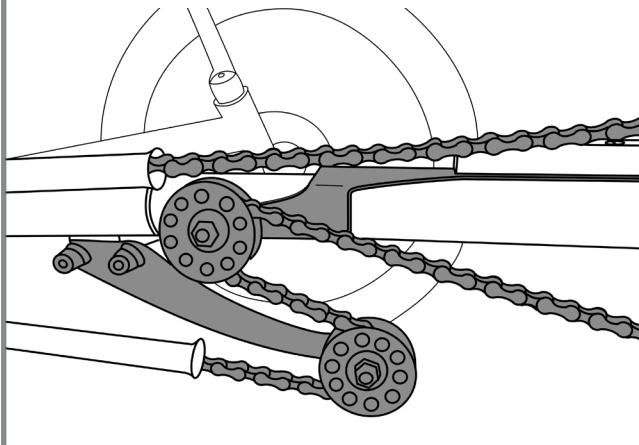
7

Install lower idler mount on quick release skewers and secure with skewer nuts.



8

Route chain through the idlers as shown.



9

Tighten and close quick release levers one at a time. Retighten the first lever and close again to secure boom.

