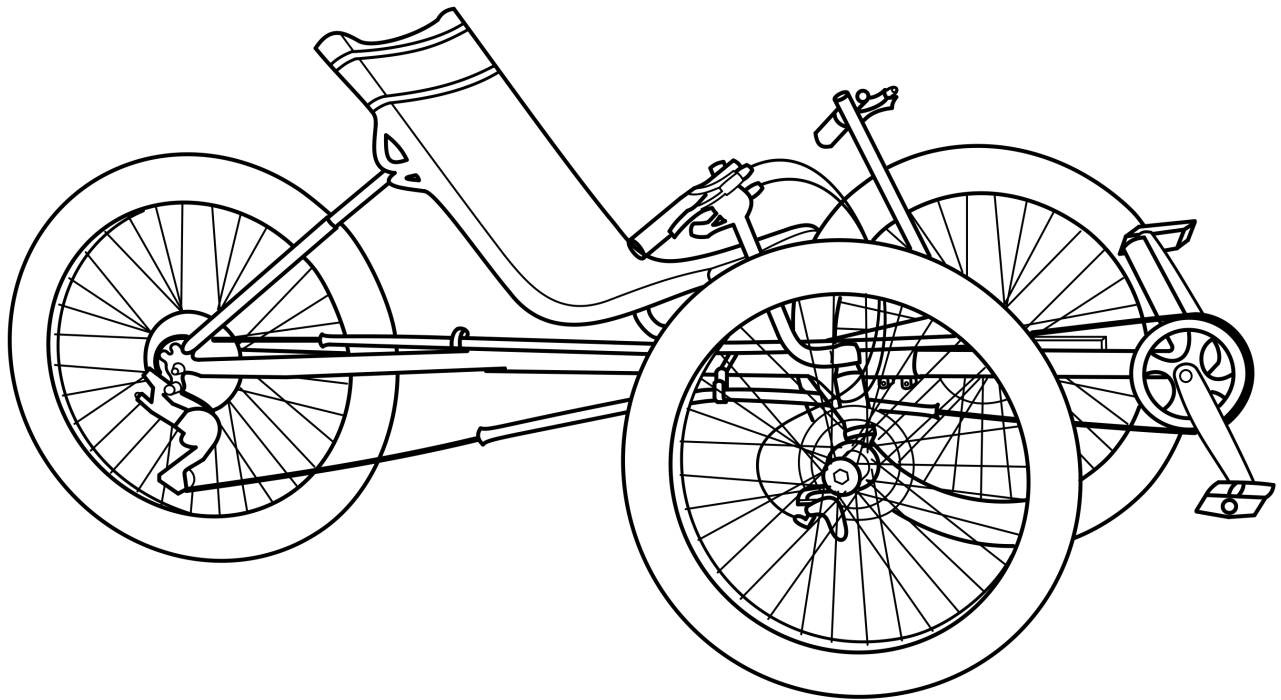




**TerraTrike<sup>®</sup>**



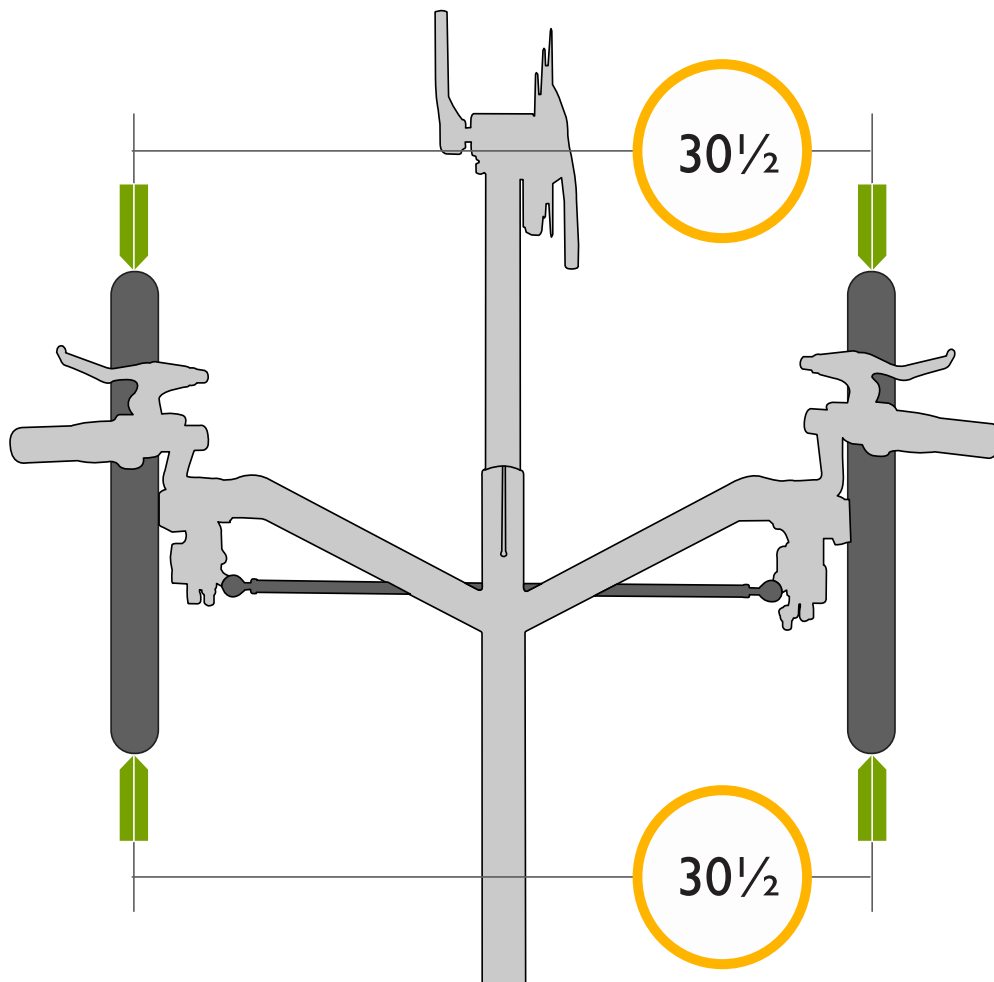
# **Rambler**

## **Build Notes**

For Model Years 2020 and Later

## Alignment

Inflate tires before performing alignment. The Rambler alignment measurement is approximately 30 1/2" (center tread to center tread), though slight variance is possible. Most importantly, make sure the alignment remains neutral with a rider seated in the trike.



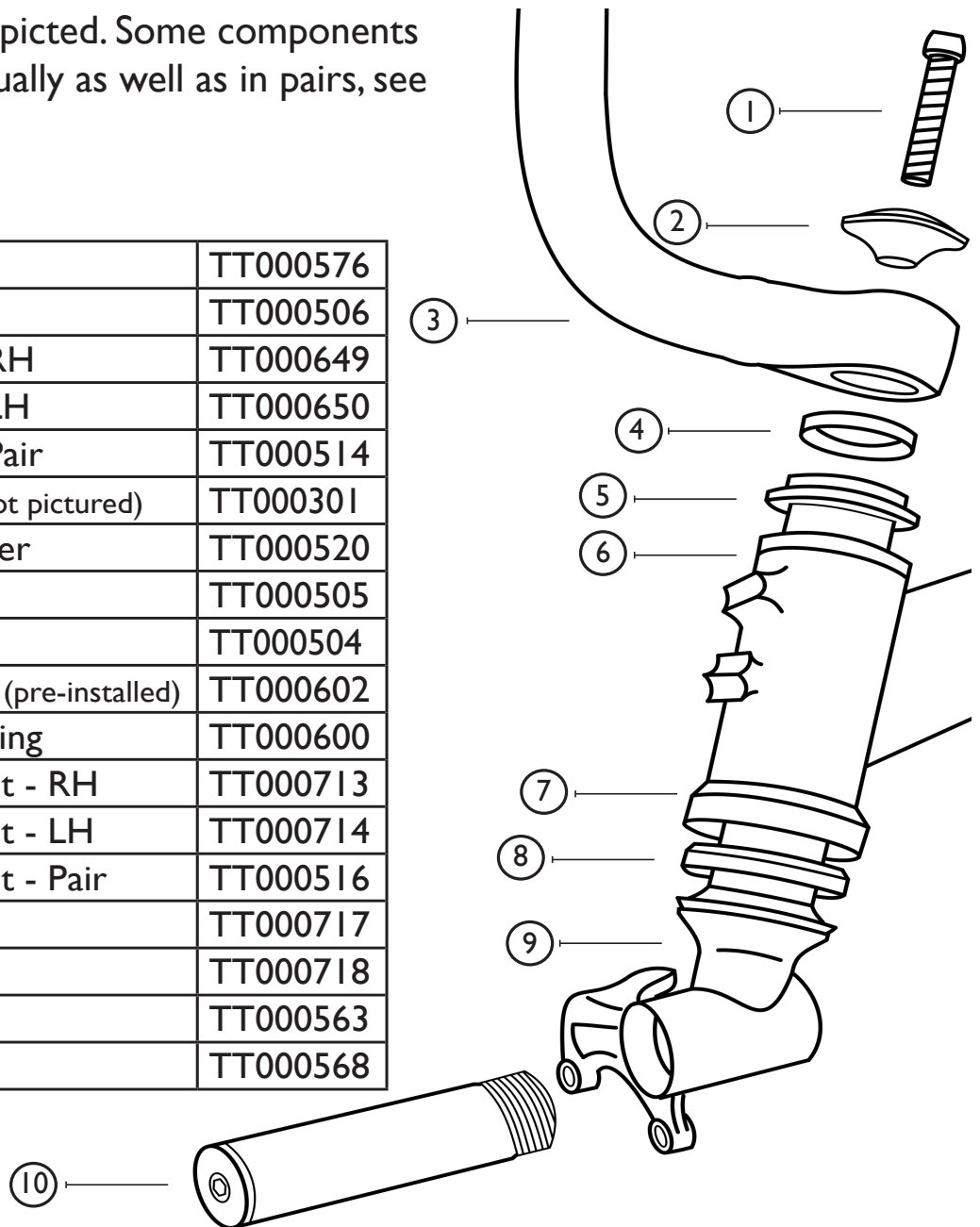
## Hybrid Steering Stack Assembly\*

Assemble the steering stack as shown. Grease the steerer tube before inserting into head tube. Remove any excess grease from steerer tube before installing handlebar. Grease axle before installing wheel. Torque axle to 23-25Nm.

\*Right Hand assembly depicted. Some components can be purchased individually as well as in pairs, see parts list below.

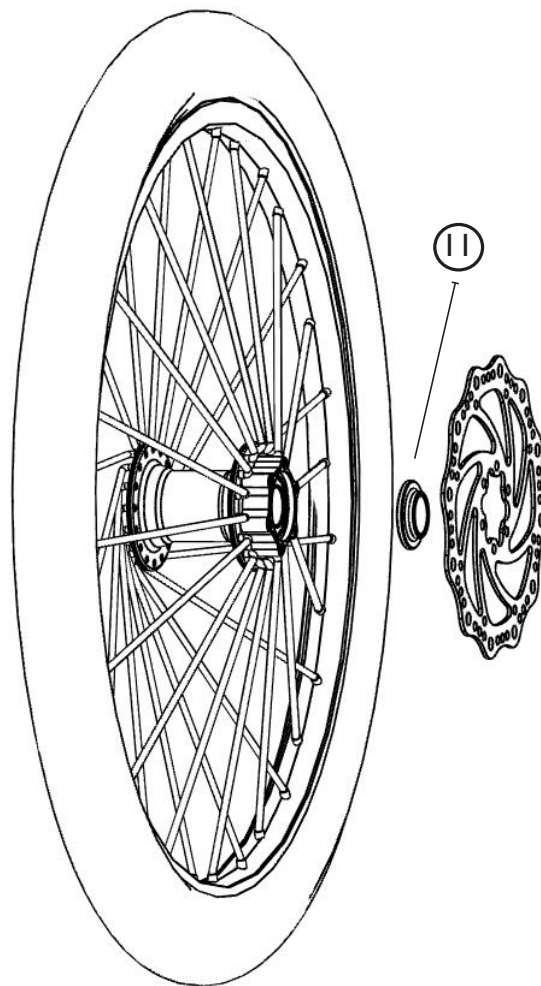
### Parts List

1	M6x30 Bolt	TT000576
2	Hybrid Top Cap	TT000506
3	Trigger Handlebar - RH	TT000649
	Trigger Handlebar - LH	TT000650
	Trigger Handlebar - Pair	TT000514
	M5x20 Bolt - 2qty (not pictured)	TT000301
4	Hybrid Headset Spacer	TT000520
5	Hybrid Headset Cap	TT000505
6	Bushing (pre-installed)	TT000504
7	Hybrid Headset Cup (pre-installed)	TT000602
8	Hybrid Headset Bearing	TT000600
9	Rapid Axle Hubmount - RH	TT000713
	Rapid Axle Hubmount - LH	TT000714
	Rapid Axle Hubmount - Pair	TT000516
10	Rapid Axle - RH	TT000717
	Rapid Axle - LH	TT000718
	Rapid Axle - Pair	TT000563
11	Axle Spacer	TT000568



## Hybrid Steering Stack Assembly Continued\*

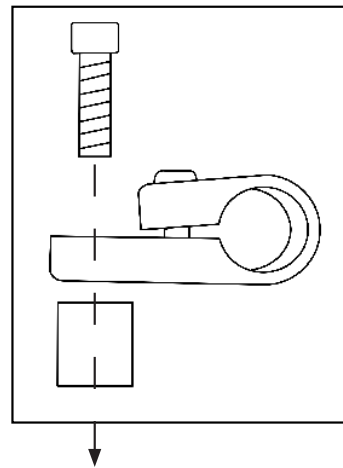
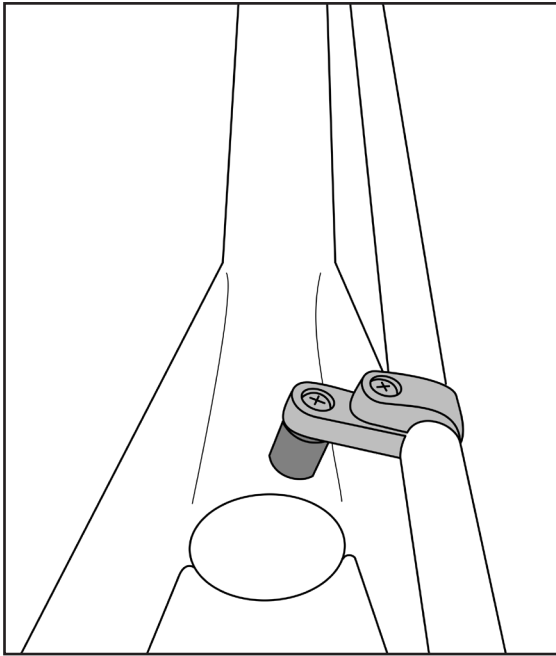
Install Axle Spacer (11) between brake rotor and hub.



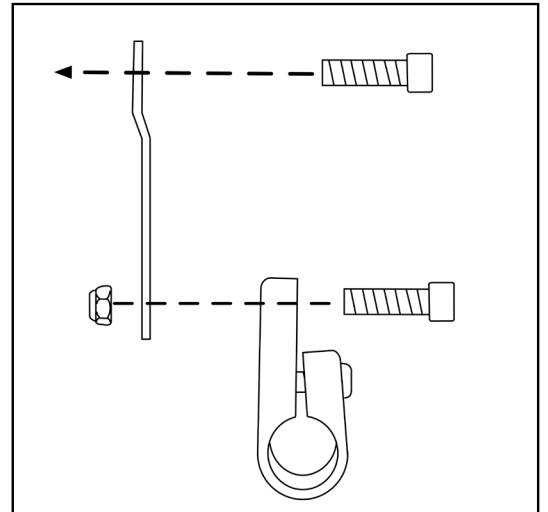
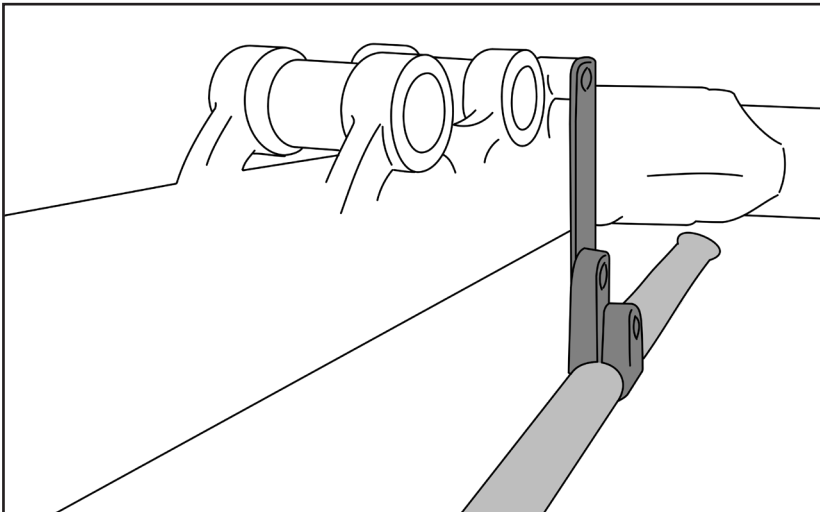
## Chain Tube Setup

Mount the chain tube assemblies as shown below. Ensure the chain tubes do not rotate in the clamps after tightening the pinch bolts.

Top:



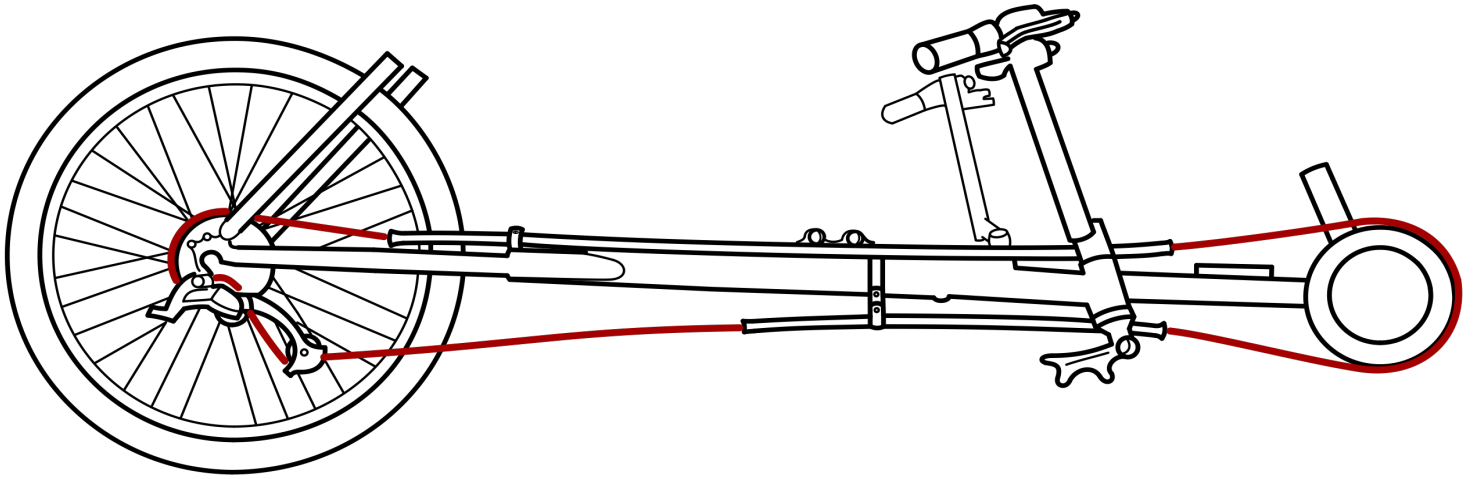
Bottom:



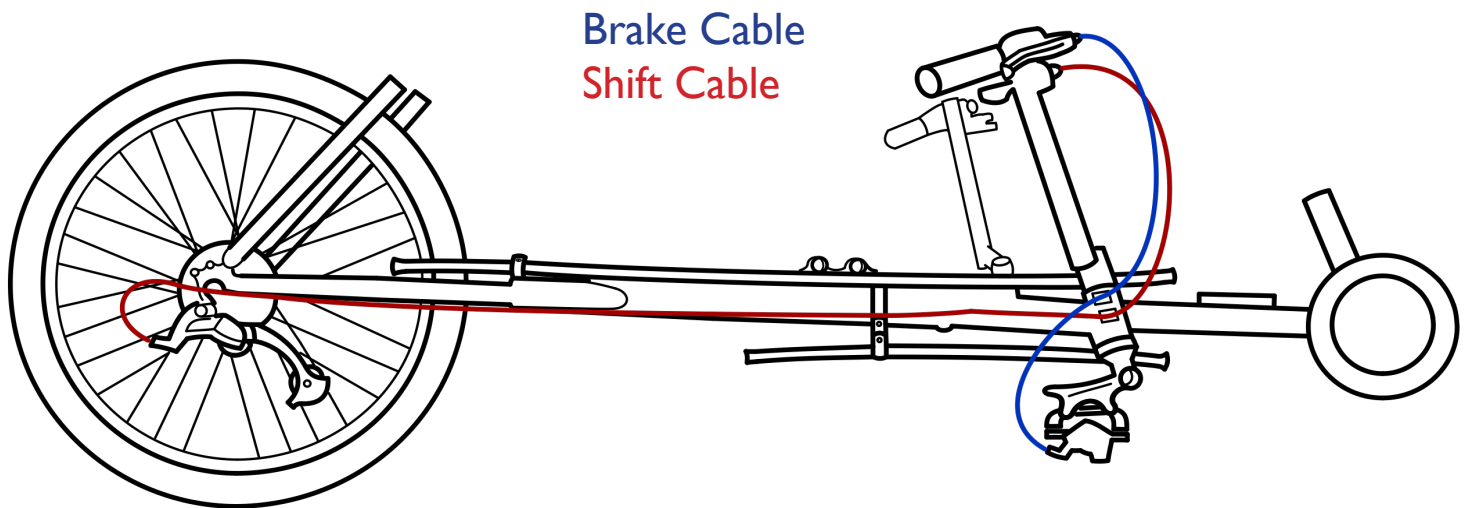
## Parts List

Upper Assy.	Chain Tube, 102cm LDPE	TT000540	
	Chain Tube Clamp, Rov/Ram/Mav	TT000152	
	Spacer, Chain Tube Clamp, 15mm	TT000125	
	M5x30 Pan Head (phillips) SS	TT000438	
	M5x18 Pan Head (phillips) SS	N/A	
Lower Assy.	Chain Tube, 56cm LDPE	TT000548	
	Chain Tube Clamp, Rov/Ram/Mav	TT000152	
	Chain Tube Bracket Arm, M5, M5	TT000640	
	M5 Nyloc Nut SS	TT000252	
	M5x12mm SHCS SS	TT000303	
	M5x16mm SHCS SS	TT000443	
	M5x18 Pan Head (phillips) SS	N/A	

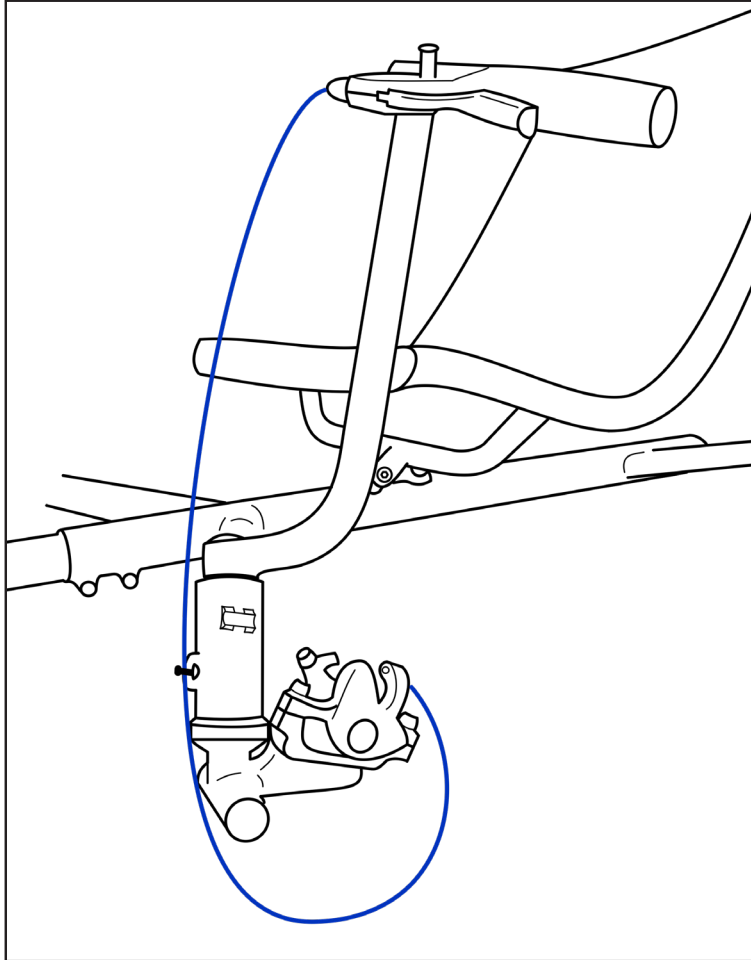
## Chain Routing



## Cable Routing RH



## Cable Routing LH





***TerraTrike***<sup>®</sup>

800.945.9910 | [www.TerraTrike.com](http://www.TerraTrike.com)  
4460 40th St. SE | Grand Rapids, MI 49512 USA

